



Novus Start

Smart Super Capacitor Booster



The newest technology in safe emergency power



Perfect for any 12VDC starting system

Features

- Protection: Reverse Polarity, Over Heating, Short Circuit, Over Charge
- Large Display: High Bright LED, Status Monitor
- Fast Charge: 1-5 minutes
- Waterproof: IP45 rating
- Safe to store for long periods
- Maintenance Free
- Light Weight: 2lbs
- High Voltage Capacitors
- NO Lithium battery

Easy to use

1. Clip to battery
2. Charge 1~5min
3. Start Engine

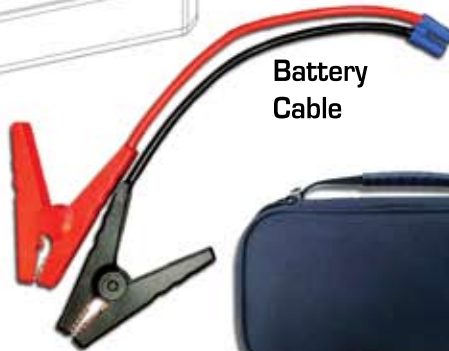
Specifications

- Working Voltage: 12VDC, Max: 15VDC
- Peak Current: 600A
- Super Capacitor: 500Fx5
- Operating Temp: - 40F ~ +150F
- Size: 10"x 4"x 2"

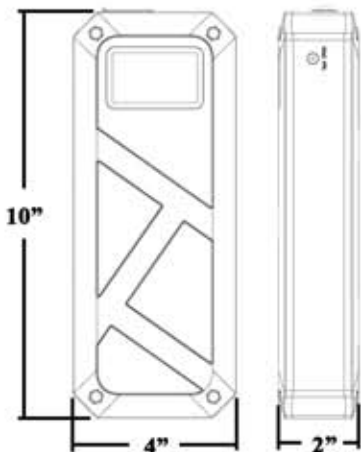
DC Charging Cord



Battery Cable



Storage Case



FE Technology Inc.
 4712 Payne Ave. Dayton, OH. 45414
 (937) 999-5171 www.fe-tech.com

Representative: